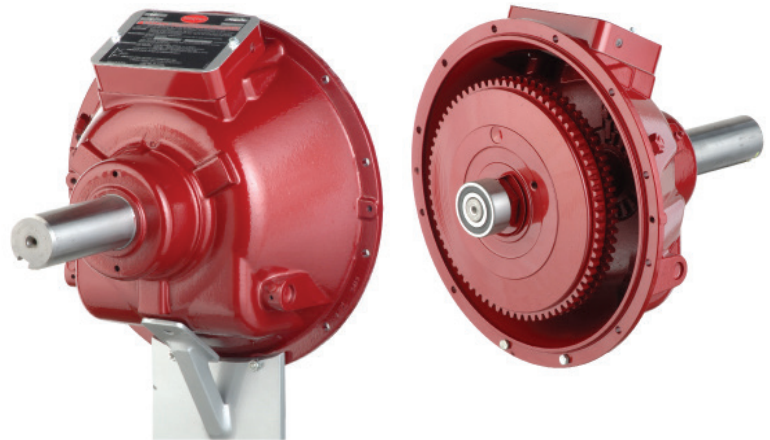


STANDARD RO PTO

R0114P • R0214P

The Standard RO PTO is a hydraulic or pneumatically-actuated mechanical clutch. The RO PTO allows users to engage remotely and has been developed with a number of unique features that offer reliability, productivity and power, including: greaseable shaft bearings, a permanently sealed pilot bearing and field retrofit kit option. The RO PTO is suitable for a wide range of heavy-duty applications including crushers, grinders and mulchers.



FEATURES & BENEFITS:

- HYDRAULIC OR PNEUMATIC ACTUATION
- 90 TO 100 PSI (621 TO 689KPA) ENGAGEMENT PRESSURE
- SUITABLE FOR SIDE LOAD AND IN-LINE APPLICATIONS
- TAPERED ROLLER MAIN BEARINGS
- OPTIONAL SINTERED IRON & COMPOSITE PLATES
- STANDARD BALL BEARING THROW OUT COLLAR
- FIELD CONVERSION KITS AVAILABLE
- CREATES SUITABLE APPLICATION TORQUE CAPACITY



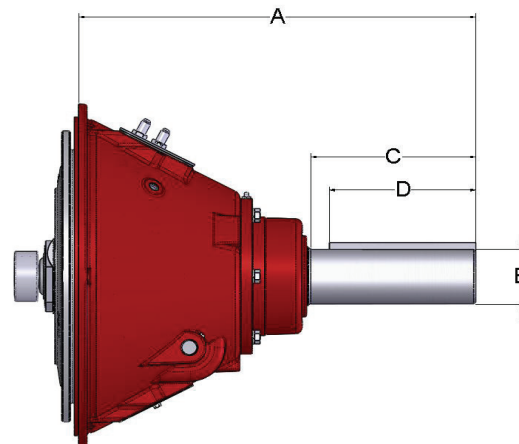
SPECIFICATIONS – R0114P & R0214P

Model Number	SAE HSG.	Max. Input Torque Nm (lb-ft) Class I		Clutch maximum HP Rating			Maximum Safe Speed		Weight kg (lbs)
		Organic	Sintered	Class II	Class III	Class IV	Solid Plates	Split Plates	
							Nodular Drive Ring	Nodular Drive Ring	
R0114PO, R0114P1	0, 1	1098 (810)	1396 (1030)	188	125	94	3000	2750	134 (296)
R0214PO, R0214P1	0, 1	2196 (1610)	2793 (2060)	376	251	188	3000	2750	188 (416)

DIMENSIONS – R0114P & R0214P

	R0114P	R0214P
"A"	524.00 (20.63)	603.25 (23.75)
"B" ∅	76.20 (3.00)	88.90 (3.50)
"C"	215.14 (8.47)	254.00 (10.00)
"D"	184.15 (7.25)	222.25 (8.75)

Dimensions in mm (in)



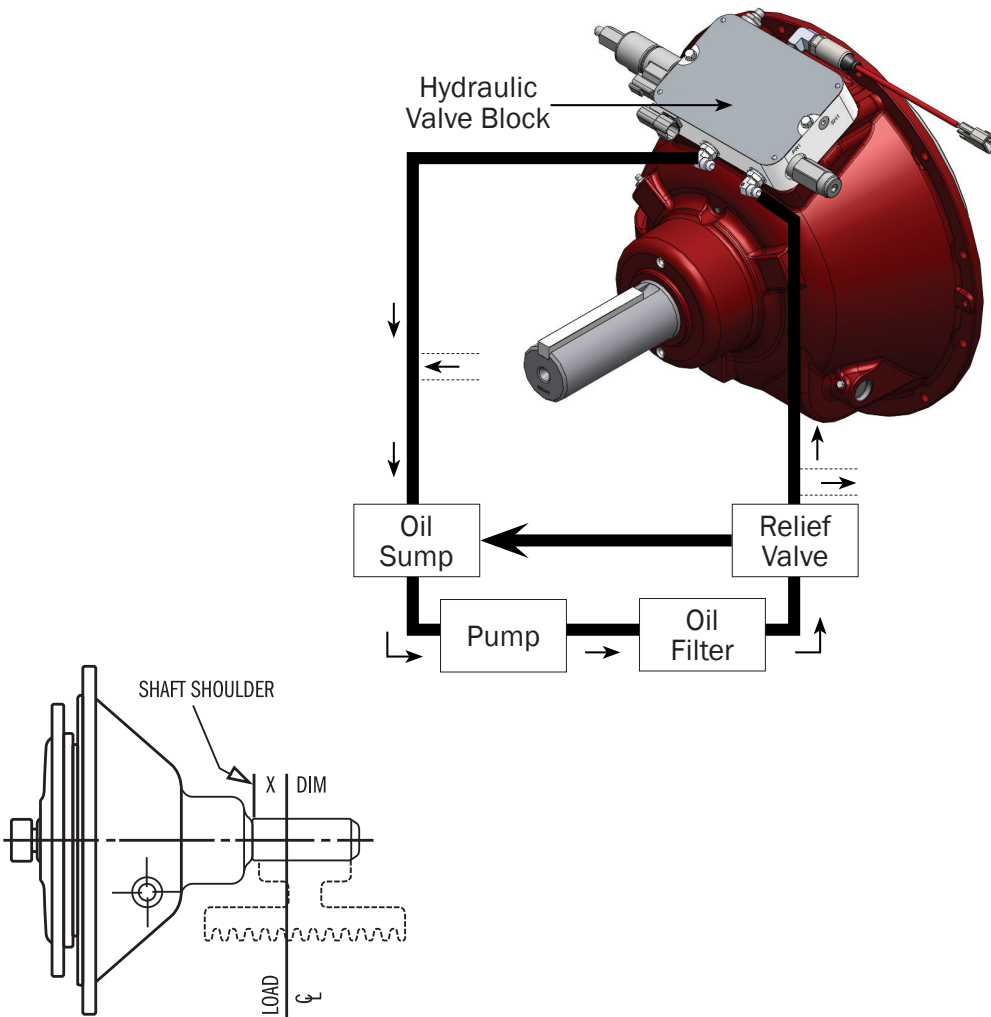
Specifications subject to change without prior notice in the interest of continual product improvement. Contact your local Twin Disc representative for engineering specifications. Patent pending.



Scan QR code to see Twin Disc's entire PTO product line.

For nearly a century, we've been putting horsepower to work by designing, engineering and manufacturing rugged-duty industrial products. Our products and our reputation are bolted to the most renowned engine manufacturers and equipment OEMs in the world. Our mission is to make your machines and vehicles more productive, more durable, more operator-friendly, more cost-effective. From design and installation consultation through after-sale support, Twin Disc and its distributors are committed to your business. No one knows more about managing horsepower in more ways than Twin Disc.

TRANSMISSIONS • CLUTCHES • PTOS
 PUMP DRIVES • TORQUE CONVERTERS
 GEARBOXES • HYDRAULIC PTO PRODUCTS



RO114P & RO214P – ALLOWABLE SIDE LOAD, KG (LBS)

PTO MODEL	RPM	X DISTANCE, mm (in) – see sketch							
		25.4 (1.0)	50.8 (2.0)	76.2 (3.0)	101.6 (4.0)	127.0 (5.0)	152.4 (6.0)	177.8 (7.0)	203.2 (8.0)
RO114P0 RO114P1	1000	3390	2600	2120	1780	1535	1350	1210	1090
	1500								
	2000								
	2200								
RO214P0 RO214P1	1000	5980	4700	3880	3290	2870	2540	2270	2060
	1500								
	2000								
	2200								

Twin Disc, Incorporated reminds users of these products that their safe operation depends on use in compliance with engineering information provided in our catalog. Users are also reminded that safe operation depends on proper installation, operation and routine maintenance and inspection under prevailing conditions. It is the responsibility of users (and not Twin Disc, Incorporated) to provide and install guards or safety devices which may be required by recognized safety standards or by the Occupational Safety and Health Act of 1970 and its subsequent provisions.

United States of America • Australia • Belgium • Canada • China • India • Italy • Singapore • Switzerland



Twin Disc, Incorporated
 Racine, Wisconsin 53403 USA
 Phone +1-262-638-4000
 Fax +1-262-638-4482
 www.twindisc.com

TD-Bulletin-RO114P/214P
 © 2015, Twin Disc, Incorporated
 Printed in the USA - 09/2016