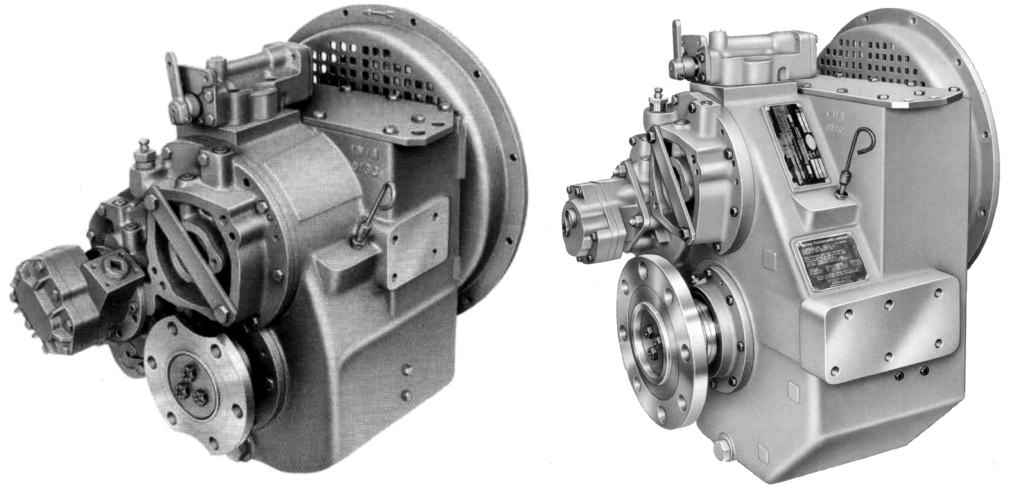


Maximum 522 kW (700 hp) @2300 RPM (PLEASURE CRAFT)

**STANDARD EQUIPMENT**

**MG-5091SC & MG-5091DC**

- Vertical offset, cast iron housing
- Mechanical control valve
- Oil strainer



**INPUT RATINGS - KILOWATS (KW) (HORSEPOWER (HP))\***

For service classification definitions and important notes refer to [www.twindisc.com](http://www.twindisc.com), the Twin Disc Marine Product Guide or contact Twin Disc directly.

**MG-5091SC**

| Reduction Ratios<br>:1   | Pleasure Craft<br>@ 2300 RPM | Light Duty<br>@ 2300 RPM | Intermediate Duty<br>@ 2100 RPM | Medium Duty<br>@ 1800 RPM | Continuous Duty<br>@ 1800 RPM |
|--------------------------|------------------------------|--------------------------|---------------------------------|---------------------------|-------------------------------|
| 1.17, 1.45<br>1.71, 2.04 | 522 kW<br>(700 hp)           | 471 kW<br>(632 hp)       | 354 kW<br>(475 hp)              | 274 kW<br>(368 hp)        | 242 kW<br>(325 hp)            |
| 2.45                     | 474 kW<br>(635 hp)           | 442 kW<br>(593 hp)       | 336 kW<br>(450 hp)              | 265 kW<br>(355 hp)        |                               |
| 2.95                     | 447 kW<br>(600 hp)           | 418 kW<br>(561 hp)       |                                 |                           |                               |
| 3.33                     | Contact Twin Disc            | Contact Twin Disc        | 268 kW<br>(360 hp)              | 219 kW<br>(293 hp)        | 205 kW<br>(275 hp)            |

**MG-5091DC**

| Reduction Ratios<br>:1 | Pleasure Craft<br>@ 2300 RPM | Light Duty<br>@ 2300 RPM | Intermediate Duty<br>@ 2100 RPM | Medium Duty<br>@ 1800 RPM | Continuous Duty<br>@ 1800 RPM |
|------------------------|------------------------------|--------------------------|---------------------------------|---------------------------|-------------------------------|
| 3.82                   | Contact Twin Disc            | Contact Twin Disc        | 321 kW<br>(431 hp)              | 262 kW<br>(351 hp)        | 242 kW<br>(325 hp)            |
| 4.50                   |                              |                          | 298 kW<br>(400 hp)              |                           |                               |
| 5.05                   |                              |                          | 251 kW<br>(336 hp)              | 210 kW<br>(281 hp)        | 205 kW<br>(275 hp)            |

\* Ratings shown for use with standard right-hand rotation engines.  
The maximum allowable rated engine speed is 3000 rpm.



Specifications subject to change without prior notice in the interest of continual product improvement.  
Contact your local Twin Disc representative for engineering specifications, Survey Society Approvals and Classifications.

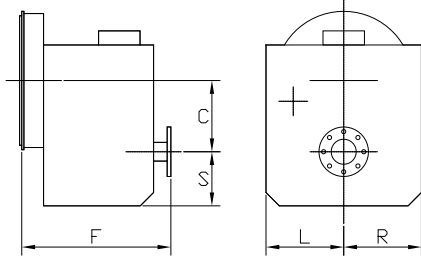
Scan QR code to see Twin Disc's entire Marine product line.



## OPTIONS

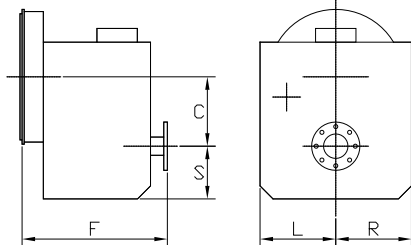
|   | MG-5091SC | MG-5091DC |
|---|-----------|-----------|
| SAE J617 housing no. 1  | X         | X         |
| SAE J617 housing no. 2  | X         | X         |
| Flexible coupling for 14" flywheel (SAE J620 size 355)        | X         | X         |
| Flexible coupling for 11.5" flywheel (SAE J620 size 290)      | X         | X         |
| Input flange for freestanding installation                    | X         | X         |
| Electric control valve (12 VDC or 24 VDC)                     | X         | X         |
| Mechanical trolling valve                                     | X         | X         |
| Oil filter mounted  | X         | X         |
| Oil cooler with thermostatic bypass valve                     | X         | X         |
| Companion flange/bolts set                                    | X         | X         |
| Monitoring devices to customer's specification                | X         | X         |
| Mounting brackets   | X         | X         |
| Live PTO - max. 593 Nm:                                       |           |           |
| SAE J744 size 127-4, 32-4 (SAE "C", 4-bolt)                   | X         | X         |
| Hydraulic clutchable PTO - max. 415 Nm                        |           |           |
| SAE J744 size 127-4, 32-4 (SAE "C", 4-bolt)                   | X         | X         |
| Shaft with key  | X         | X         |
| Dry weight incl. SAE #1 housing and SAE 355 flexible coupling | 220 kg    | 297 kg    |

### MG-5091SC



|   |                 |
|---|-----------------|
| C | 173 mm (6.82")  |
| S | 158 mm (6.22")  |
| F | 421 mm (16.59") |
| L | 260 mm (10.25") |
| R | 176 mm (6.94")  |

### MG-5091DC



|   |                 |
|---|-----------------|
| C | 241 mm (9.49")  |
| S | 244 mm (9.60")  |
| F | 459 mm (18.09") |
| L | 282 mm (11.12") |
| R | 282 mm (11.12") |

For nearly a century, we've been making boats perform better and more reliably. From system-design consultation to application development to in-service support, Twin Disc provides fully integrated propulsion solutions that will optimize your craft's performance, reliability and safety over the years. Bring Twin Disc aboard early in the development process, and you'll enjoy a lifetime of enhanced operating value.

TRANSMISSIONS • ELECTRONIC CONTROLS • EXPRESS JOYSTICK SYSTEM® • SAILDRIVES • EXPRESS POSITIONING® • ARNESON SURFACE DRIVES • MARINE CONTROL DRIVES • ROLLA PROPELLERS • BOW & STERN THRUSTERS • STEERING SYSTEMS • RUDDERS • TRIM TABS



Twin Disc, Incorporated  
Racine, Wisconsin 53403 USA  
Phone +1-262-638-4000  
Fax +1-262-638-4482  
www.twindisc.com

Twin Disc, Incorporated reminds users of these products that their safe operation depends on use in compliance with engineering information provided in our catalog. Users are also reminded that safe operation depends on proper installation, operation and routine maintenance and inspection under prevailing conditions. It is the responsibility of users (and not Twin Disc, Incorporated) to provide and install guards or safety devices which may be required by recognized safety standards or by the Occupational Safety and Health Act of 1970 and its subsequent provisions.

United States of America • Australia • Belgium • Canada • China • India • Italy • Singapore • Switzerland

*TD-Bulletin-MG-5091\_Series*  
© 2016, Twin Disc, Incorporated  
Printed in the USA - 1/2016